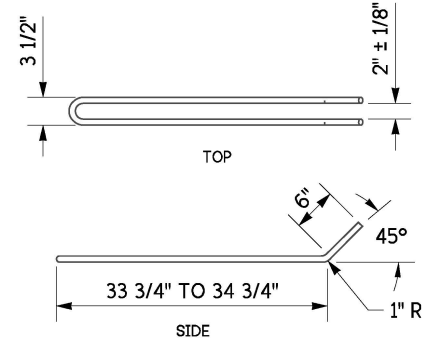
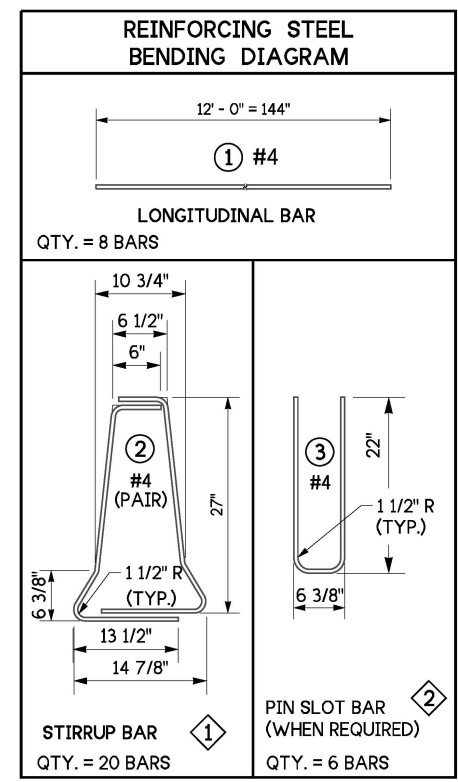
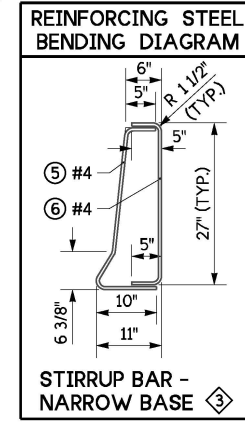


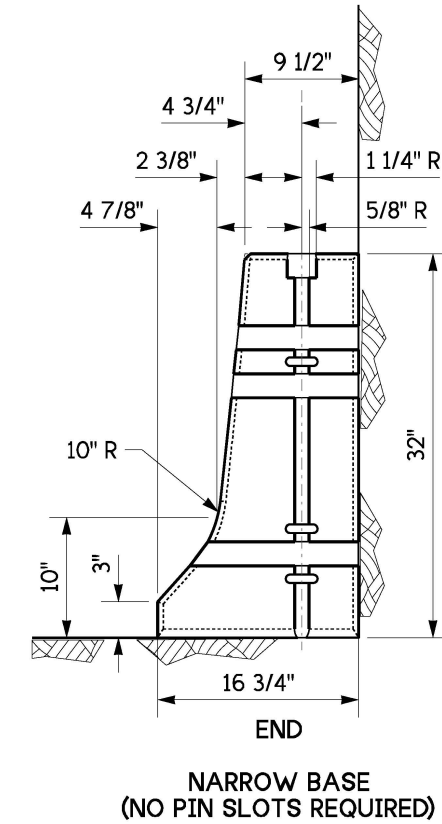
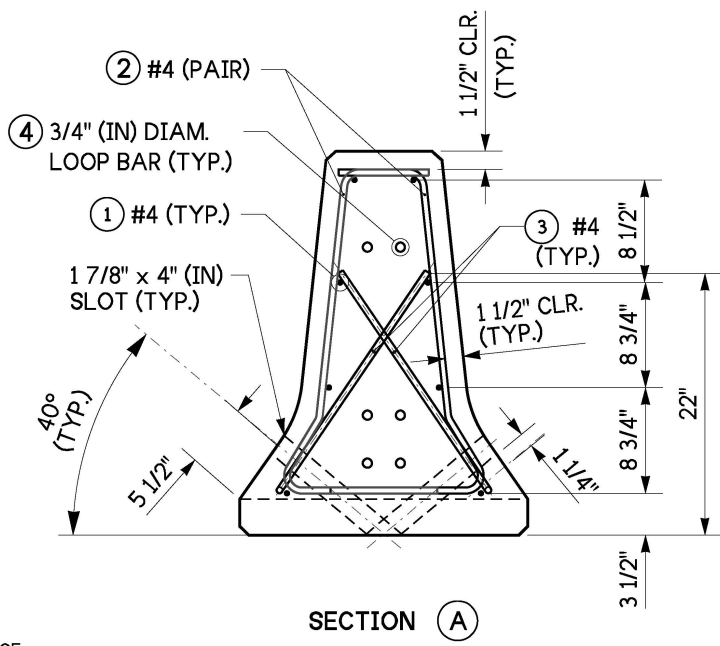
NOTES:

- Concrete for Barrier Type F (Precast) shall be Class 5000.
- The reinforcing steel details for the NARROW BASE barrier are the same as those shown for the 24" (in) wide barrier except for the stirrup bars (see Stirrup Bar Narrow Base Detail), Bar - 6 runs along the vertical face of the narrow base barrier with a 1 1/2" (in) clearance.
- Type F barrier can be placed on horizontal curves with a radius of 150 feet or greater.



④ LOOP BAR DETAIL
 3/4" DIAM. LOOP BAR PER ASTM A36 HOT ROLL
 HOT DIP GALVANIZE AFTER
 FABRICATION PER AASHTO M 111

- KEY NOTES:**
- STEEL WELDED WIRE REINFORCEMENT DEFORMED FOR CONCRETE MAY BE SUBSTITUTED FOR REINFORCING STEEL IN ACCORDANCE WITH STANDARD SPECIFICATION SECTION 6-10.3
- ① ② STIRRUP BAR MAY BE FABRICATED AS A SINGLE PIECE
 - ② ③ HOT DIP GALVANIZE AFTER FABRICATION PER ASTM A767
 - ③ STIRRUP BAR - NARROW BASE MAY BE FABRICATED AS A SINGLE PIECE



Oct 13, 2023

**CONCRETE BARRIER
 (TYPE F PRECAST)
 STANDARD PLAN C-60.10-03**

SHEET 1 OF 2 SHEETS

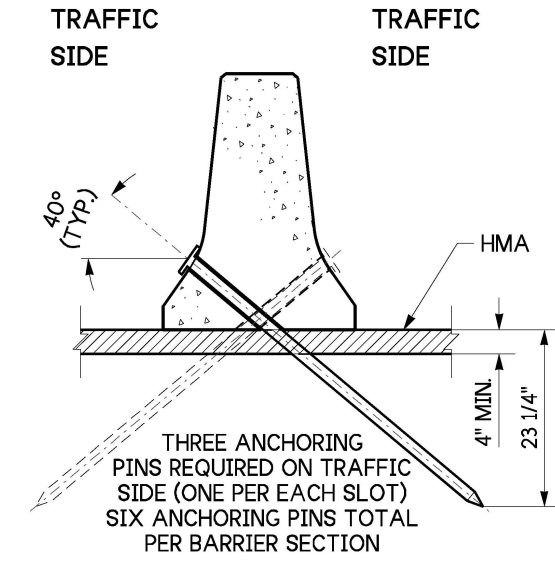
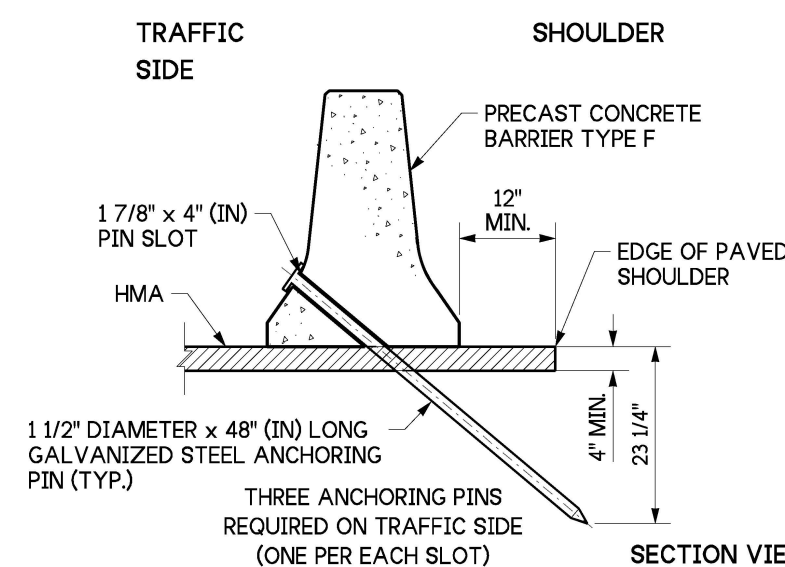
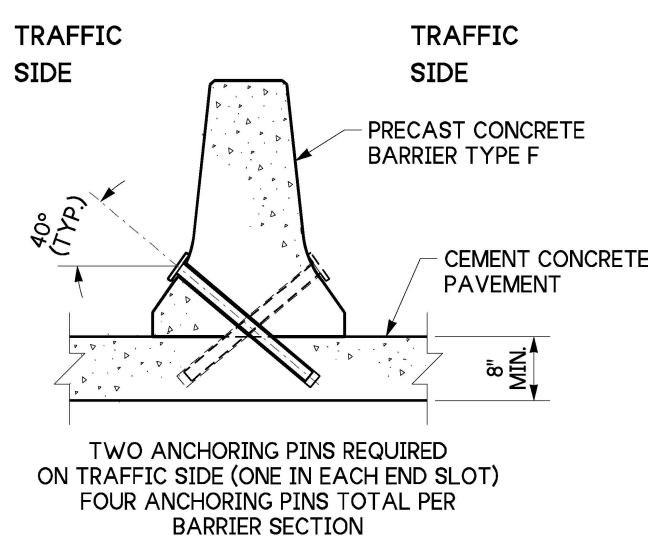
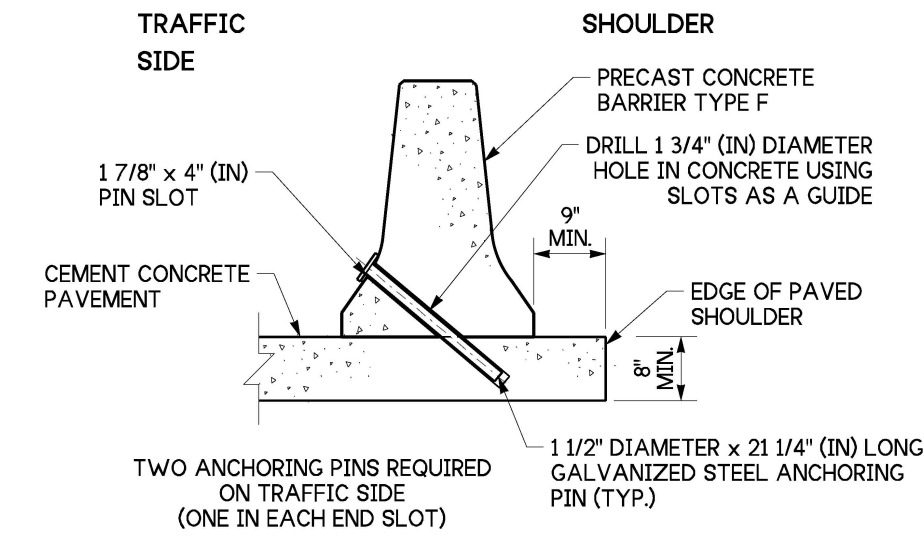
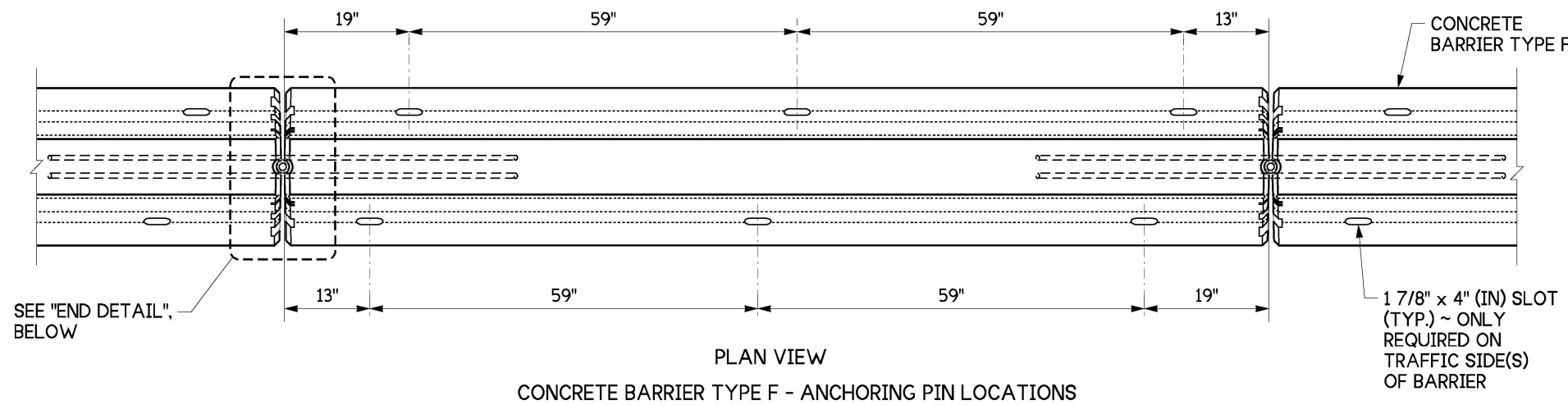
APPROVED FOR PUBLICATION

Mark A. Davis Oct 16, 2023
 STATE DESIGN ENGINEER

**Washington State
 Department of Transportation**

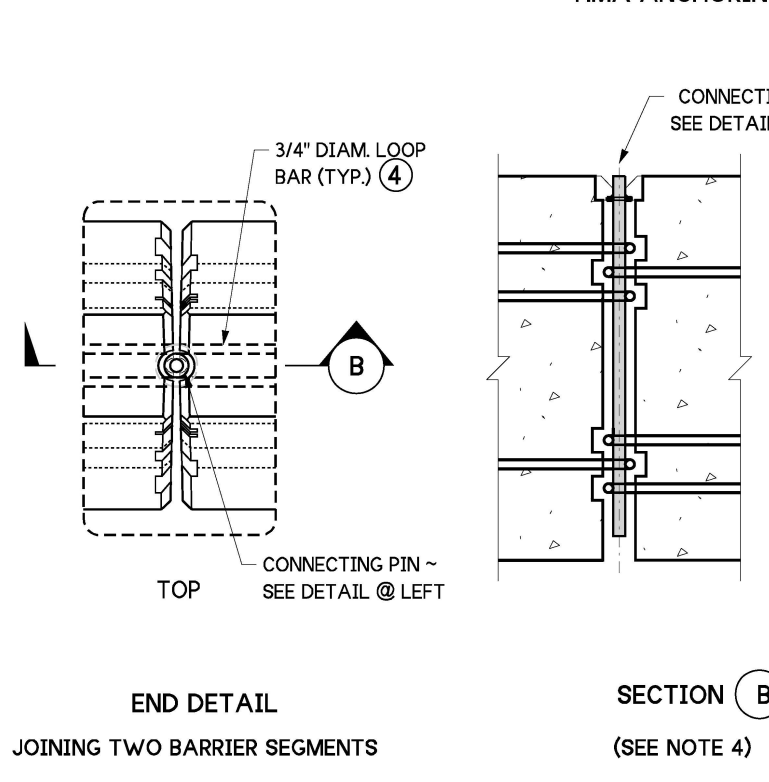
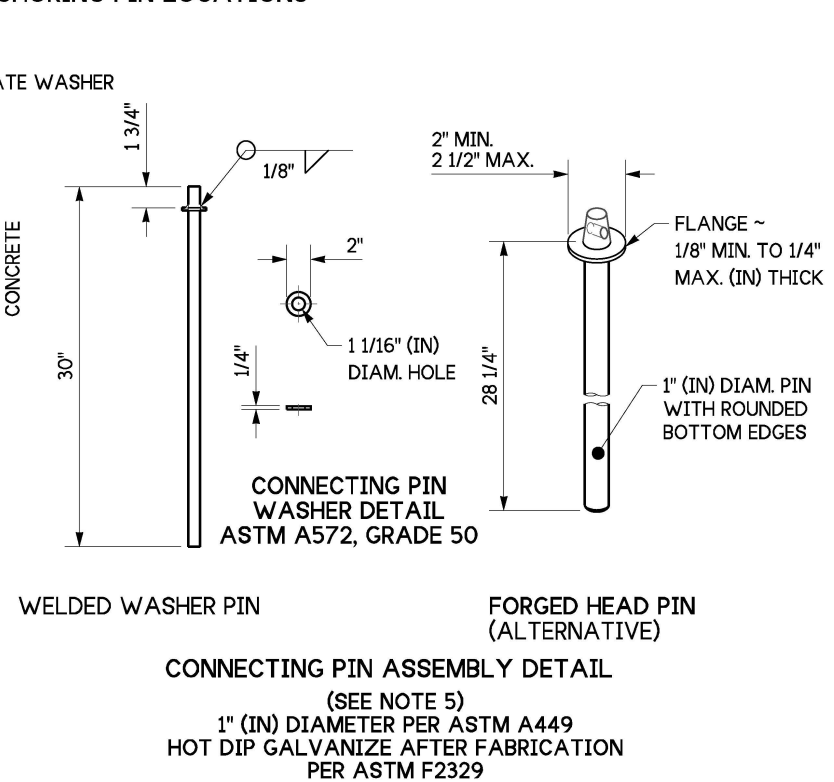
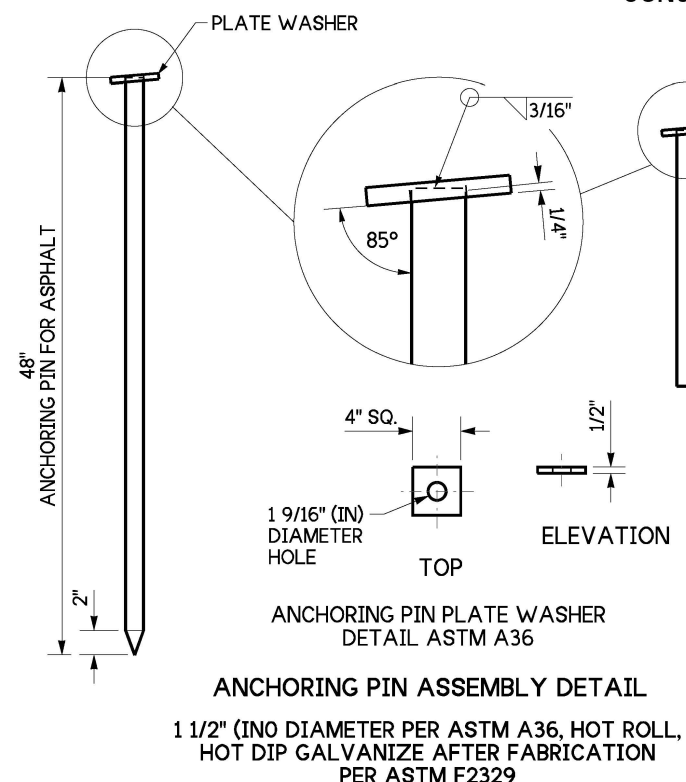
NOTES: (Anchoring and Joining Barrier)

- Precast Concrete Barrier Type F can be installed in the following configurations:
 - Unanchored on hot mix asphalt (HMA), or cement concrete pavement in permanent or temporary installations, and on compacted soil in temporary installations. It is permissible to manufacture the Type F barrier without pin slots and pin slot bars when barrier is not anchored.
 - Anchored on hot mix asphalt (HMA) or cement concrete pavement in permanent or temporary installations as shown on this plan. See Standard Plans K-80.35 and K-80.37 for anchoring Type F Narrow Base in temporary installations on cement concrete pavement or bridge decks.
- See Standard Plan C-60.70 for anchoring patterns when transitioning from Type F anchored runs to another type of barrier run.
- After removing the anchoring pins, clean the pin holes and fill them with sealant according to Std. Specification Section 9-04.2.
- Remove slack between barrier segments after inserting the connecting pin.
- Connecting Pin head designs vary among different Mfrs. Pin designs that are shaped differently than those shown in the details are acceptable if the bearing surface is within the minimum and maximum widths specified.



**SECTION VIEWS
CONCRETE ANCHORING PIN LOCATIONS**

**SECTION VIEWS
HMA ANCHORING PIN LOCATIONS**



Oct 13, 2023

**CONCRETE BARRIER
TYPE F (PRECAST)
STANDARD PLAN C-60.10-03**

SHEET 2 OF 2 SHEETS

APPROVED FOR PUBLICATION

Mark A. Poirier

Oct 16, 2023

STATE DESIGN ENGINEER

