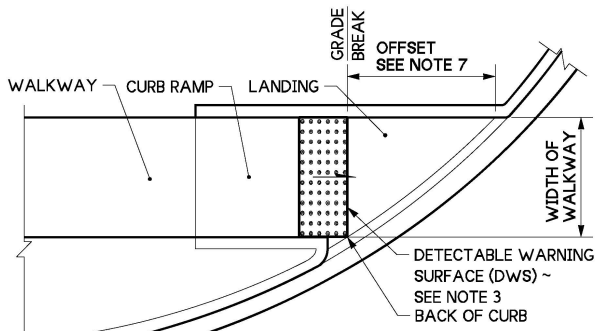
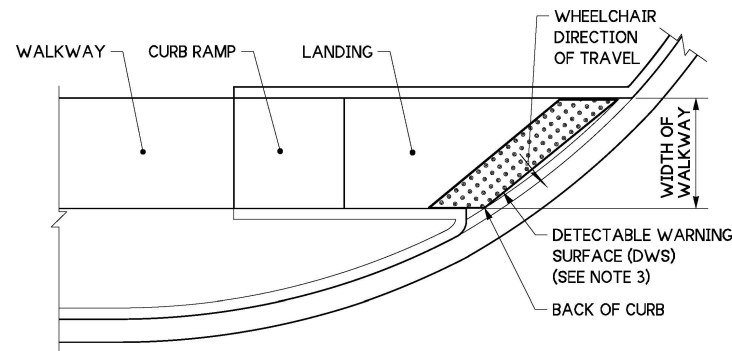


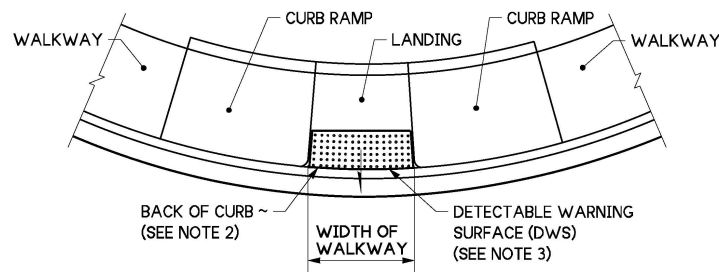
TRUNCATED DOME DETAILS
SEE NOTE 3



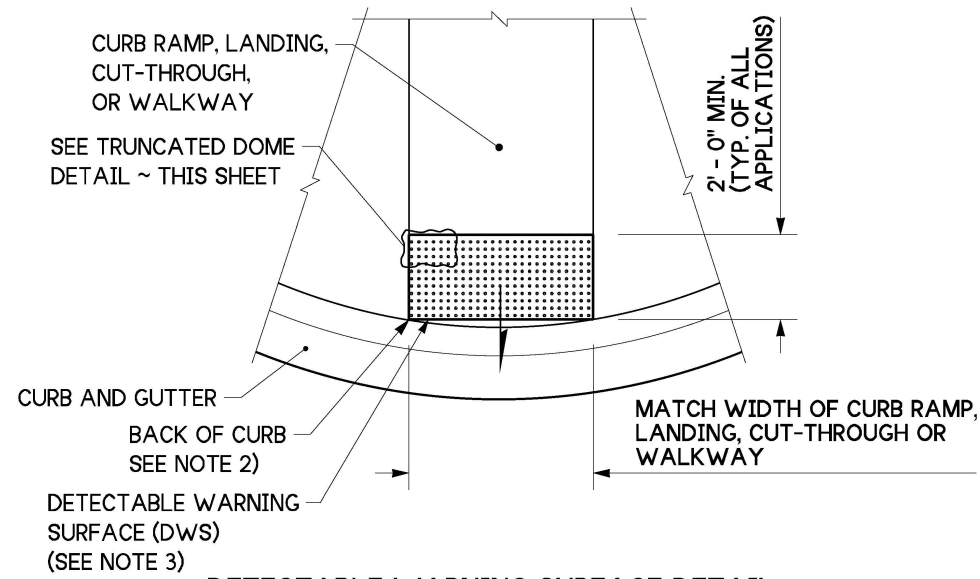
SINGLE DIRECTION CURB RAMP
(GRADE BREAK BETWEEN CURB AND LANDING < 5 FEET FROM BACK OF CURB)
(SEE NOTE 5)



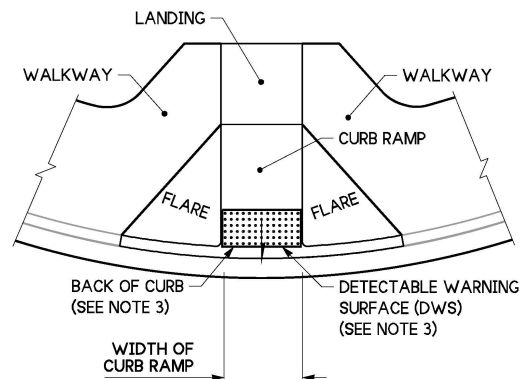
SINGLE DIRECTION CURB RAMP
(GRADE BREAK BETWEEN CURB AND LANDING > 5 FEET FROM BACK OF CURB)
(SEE NOTE 5)



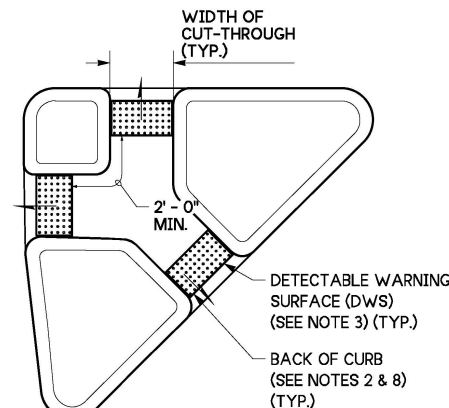
PARALLEL CURB RAMP
(SEE NOTE 6)



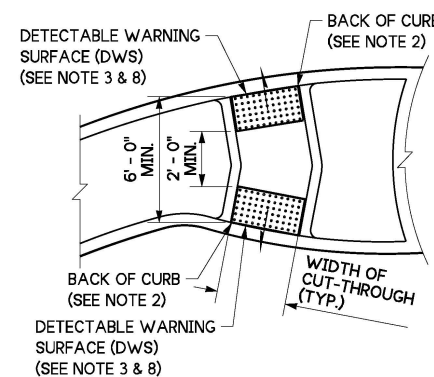
DETECTABLE WARNING SURFACE DETAIL



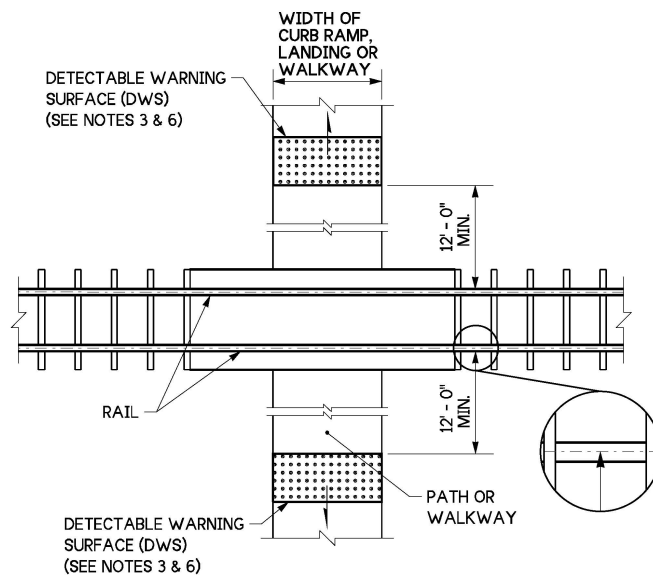
PERPENDICULAR CURB RAMP
(SEE NOTE 6)



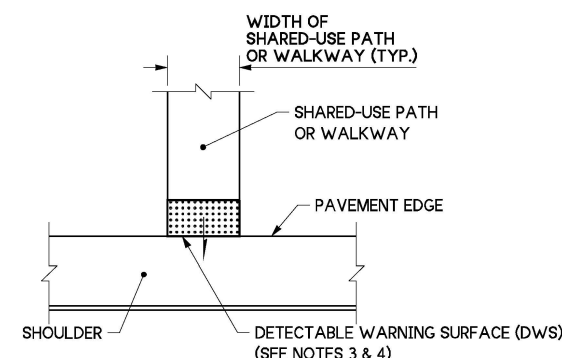
ISLAND CUT-THROUGH



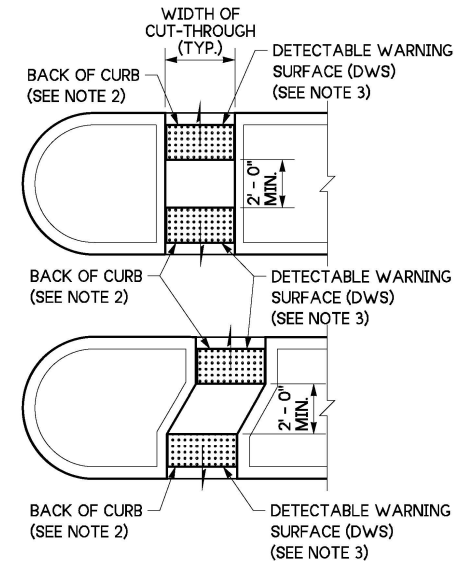
ROUNDBOUT SPLITTER ISLAND



PEDESTRIAN PAILROAD CROSSING



SHARED-USE PATH CONNECTION



MEDIAN CUT-THROUGH

NOTES

1. Permanent Detectable Warning Surfaces (DWS) shall extend the full width of the curb ramp, landing, or other roadway entrance as applicable. Exception: If the manufacturer of the DWS requires a concrete border around the DWS, a variance of up to 2" (in) on each side of the DWS is permitted.
2. Permanent Detectable Warning Surfaces (DWS) shall be placed on a minimum 4" (in) thick concrete pad. The DWS panel shall be placed adjacent to the back of the curb and with no more than a 2" (in) gap between the DWS and the back of the curb measured at the center of the DWS panel. Exception: if the Manufacturer of the selected DWS requires a concrete border around the DWS, a variance of up to 2" (in) from the back of the curb is permitted (measured at the leading corners of the DWS panel).
3. The rows of truncated domes shall be aligned to be parallel to the direction of travel, and perpendicular to the grade break at the back of curb.
4. If curb and gutter are not present, such as a shared-use path connection, the Detectable Warning Surface shall be placed at the pavement edge.
5. See Standard Plans for sidewalk and curb ramp details.
6. If a curb ramp is required, the location of the Detectable Warning Surface must be at the bottom of the ramp and within the required distance from the rail crossing.
7. When the grade break between the curb ramp and the landing is less than or equal to 5 feet from the back of curb at all points, place the Detectable Warning Surface on the bottom of the curb ramp directly above the grade break.
8. Glued or stick down Detectable Warning Surfaces are allowed only for temporary work zone applications.

LEGEND
DIRECTION OF TRAVEL



Oct 13, 2023

DETECTABLE WARNING SURFACE
STANDARD PLAN F-45.10-04

SHEET 1 OF 1 SHEET

APPROVED FOR PUBLICATION

Mark A. Davis

Oct 16, 2023

STATE DESIGN ENGINEER

