

DRAWN BY: MARK SUJKA

MAILBOX ~ SIZE 1, 1A, OR 2  
(SIZE 1A SHOWN) ~ SEE TABLE,  
STANDARD PLAN H-70.10, SHEET 2,  
FOR DIMENSIONS

3/16" x 1" PHILLIPS HEAD SCREW,  
2 WASHERS, AND LOCKNUT  
WITH NYLON INSERT (TYP.)  
~ 6 SETS MIN.

ADDITIONAL WASHERS  
~ AS REQUIRED TO  
FILL GAP (TYP.)

1 7/8" MUFLER CLAMP  
(1 7/8" M-CLAMP),  
2 WASHERS AND  
2 LOCKNUTS (TYP.)

PLATFORM ~ SEE NOTE 3

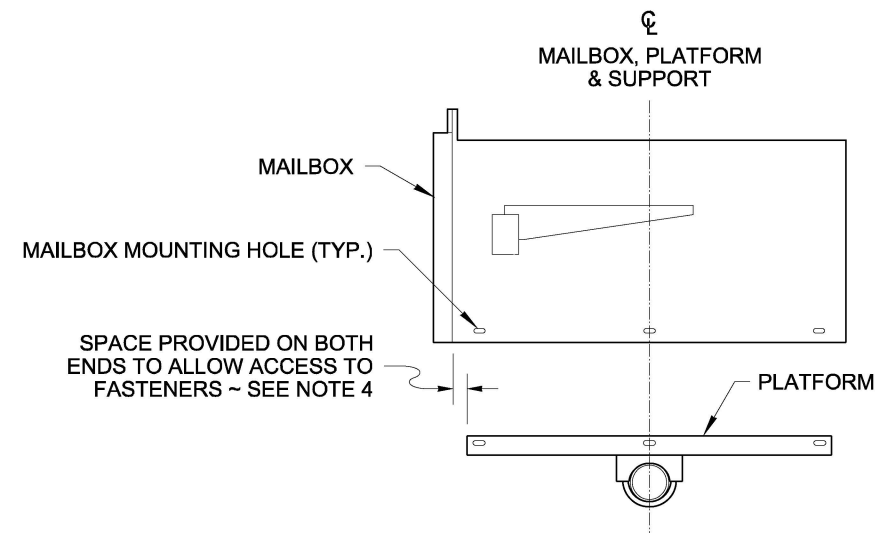
TYPE 2 MAILBOX SUPPORT ~  
SEE STANDARD SPECIFICATION 9-32.7

NEWSPAPER BOX  
~ SEE NOTE 5

### ASSEMBLY DETAIL

### NOTES

1. The anchoring system shall meet MASH crash test criteria. The V-wing socket and wedge assembly installed in a concrete base as detailed in this plan is deemed MASH compliant by WSDOT. Other MASH compliant anchoring systems manufactured by or recommended by the Type 2 support manufacturer are allowed to be used in lieu of the V-wing socket and wedge assembly.
2. A maximum of five mailboxes may be installed on a Type 2 Support. The combined weight of the empty mailboxes shall not exceed 30 LBs. If different sized mailboxes are used on a Type 2 support, the center position mailboxes must either be the same size as the edge position mailboxes or larger than the edge position mailboxes.
3. The Platform design shown in this plan is detailed in the PLATFORM DETAIL, **Standard Plan H-70.10, Sheet 2**. The design features slots that accommodate several types of mailbox supports; only those slots necessary for assembling the type being installed are required. An adjustable platform may be used in lieu of this platform design. Adjustable platforms must fit the 1 7/8" (in) M-Clamp.
4. Center the mailbox on the platform to ensure space for the mailbox door to open and to allow space for installing the fasteners (see ALIGNMENT DETAIL). Spacing of mailbox mounting holes varies among manufacturers. Attachment of the mailbox to the platform may require drilling additional holes through the mailbox to fit the platform.
5. Attach a newspaper box to a Type 2 Support with two 1 7/8" (in) Muffler Clamps spaced 4" (in) apart. Field drill 7/16" (in) holes in the newspaper box to fit. Newspaper boxes must not extend beyond the front of the mailbox when the mailbox door is closed.



ALIGNMENT DETAIL  
SEE NOTE 4



Aug 17, 2021

### MAILBOX SUPPORT TYPE 2

### STANDARD PLAN H-70.20-02

SHEET 1 OF 2 SHEETS

APPROVED FOR PUBLICATION

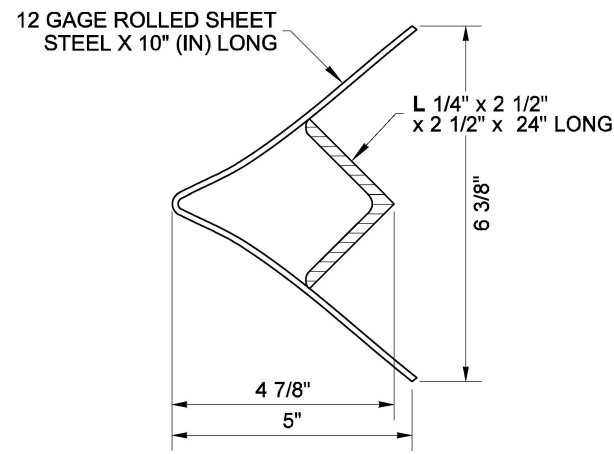
Aug 17, 2021

STATE DESIGN ENGINEER

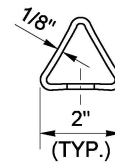


Washington State Department of Transportation

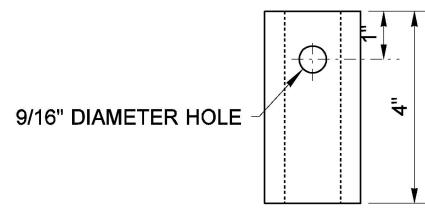
DRAWN BY: MARK SUJKA



TOP V-WING SOCKET DETAIL

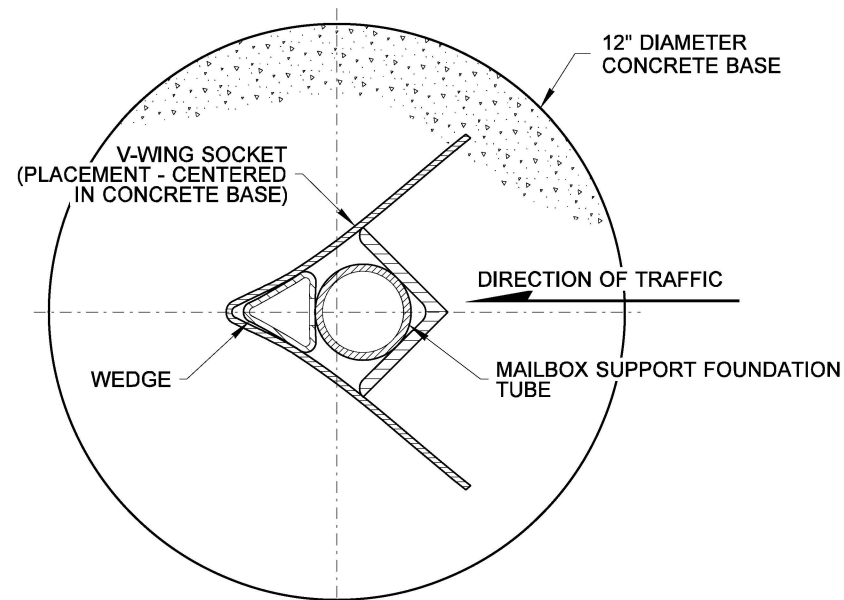


TOP



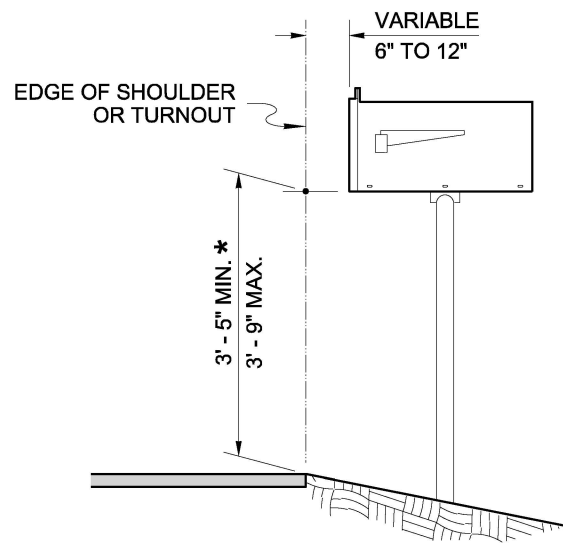
ELEVATION

WEDGE DETAIL

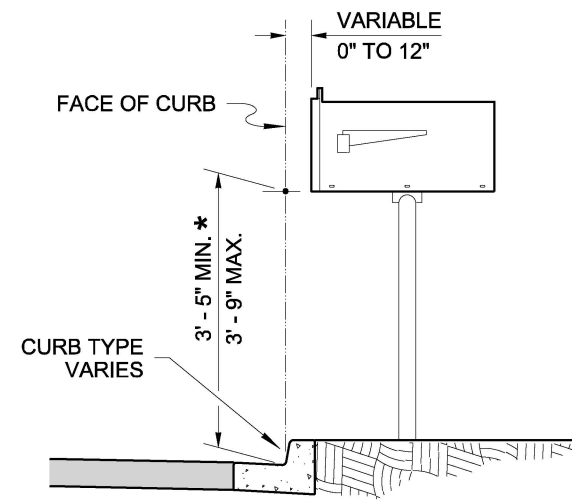


SECTION A

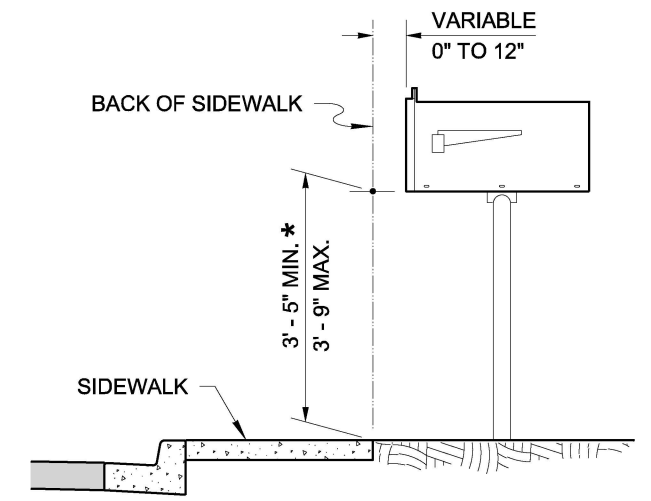
V-WING SOCKET AND WEDGE ASSEMBLY DETAIL (PLACEMENT - TOP OF ASSEMBLY FLUSH WITH CONCRETE BASE SURFACE)



AT EDGE OF SHOULDER



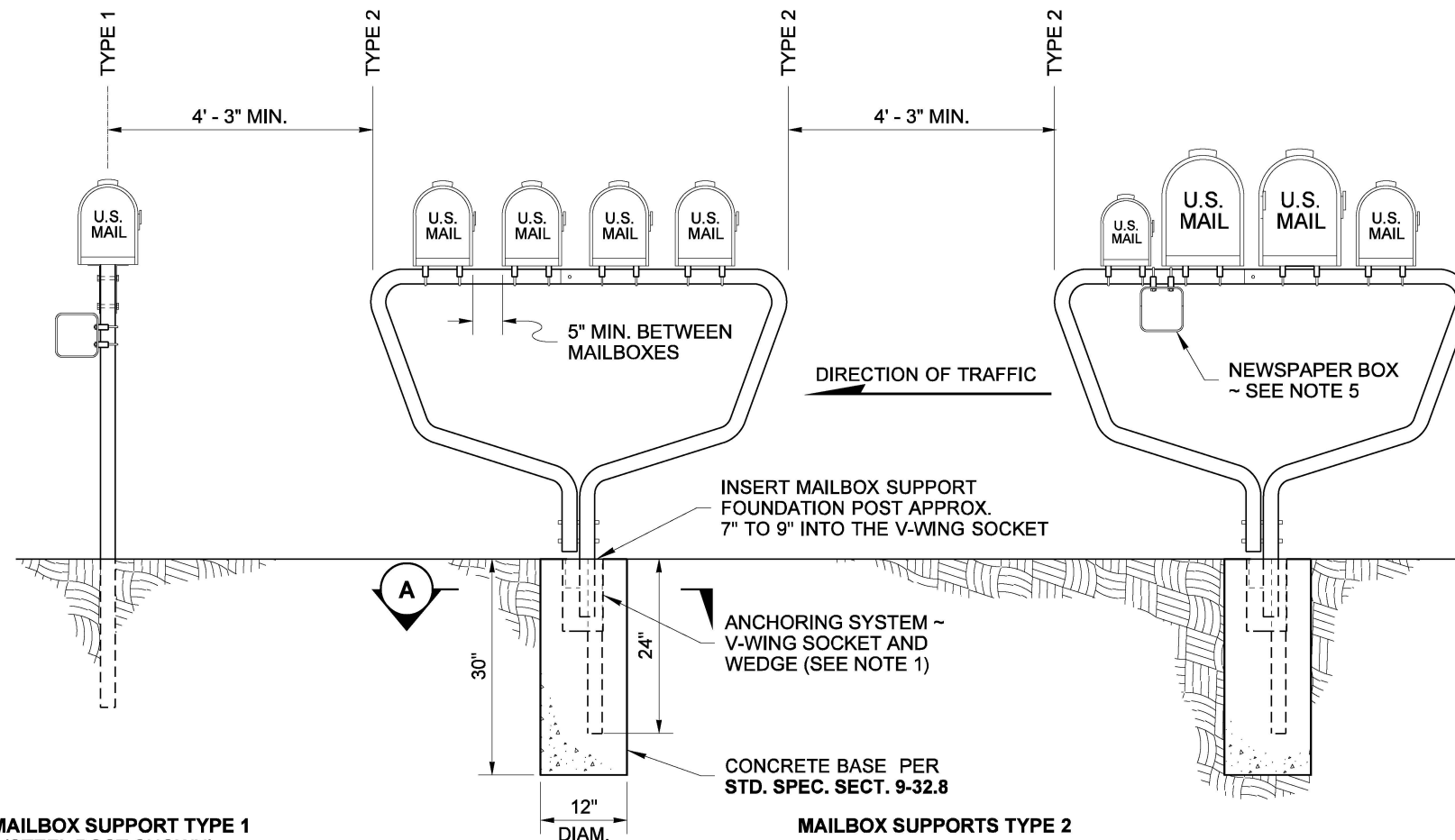
BEHIND CURB



BEHIND SIDEWALK

\* UNLESS OTHERWISE SHOWN IN THE PLANS

MAILBOX PLACEMENT SECTIONS



MAILBOX SUPPORT TYPE 1 (STEEL POST SHOWN) FOR DETAILS, SEE STANDARD PLAN H-70.10

SPACING DETAIL



Aug 17, 2021

MAILBOX SUPPORT TYPE 2 STANDARD PLAN H-70.20-02 SHEET 2 OF 2 SHEETS

APPROVED FOR PUBLICATION

*[Signature]*

Aug 17, 2021

STATE DESIGN ENGINEER



Washington State Department of Transportation