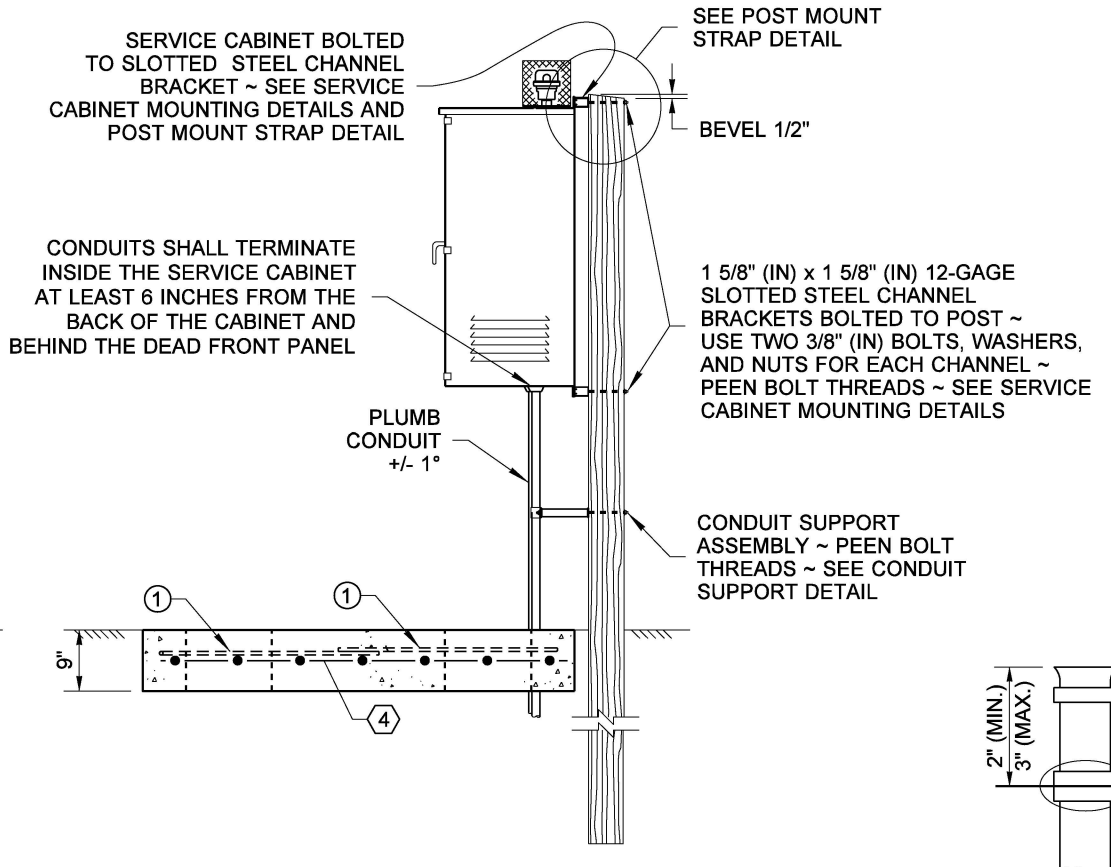
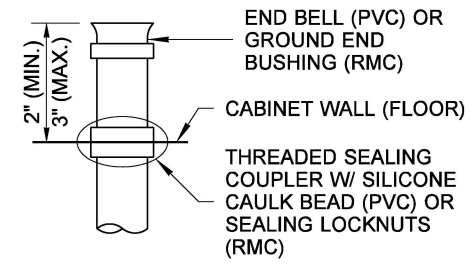
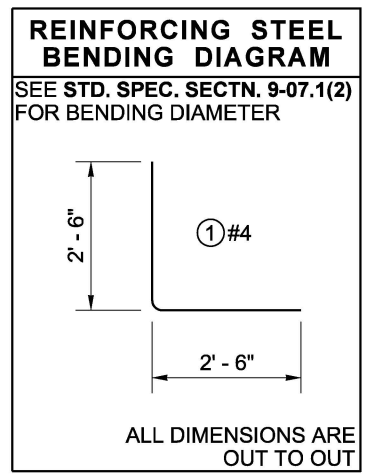


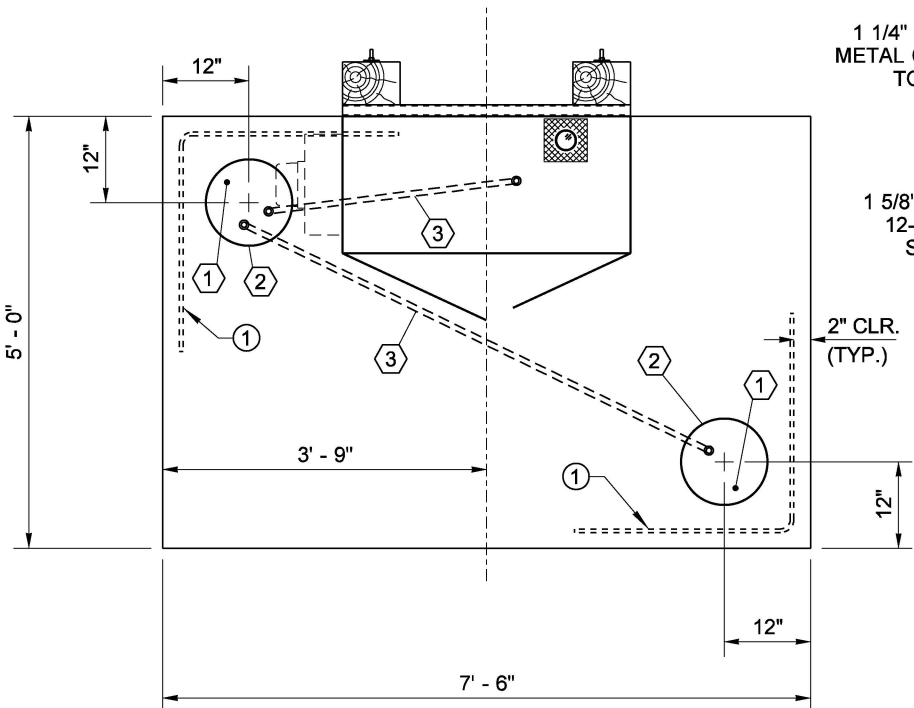
**FRONT OF SERVICE CABINET
TWO POST MOUNT**



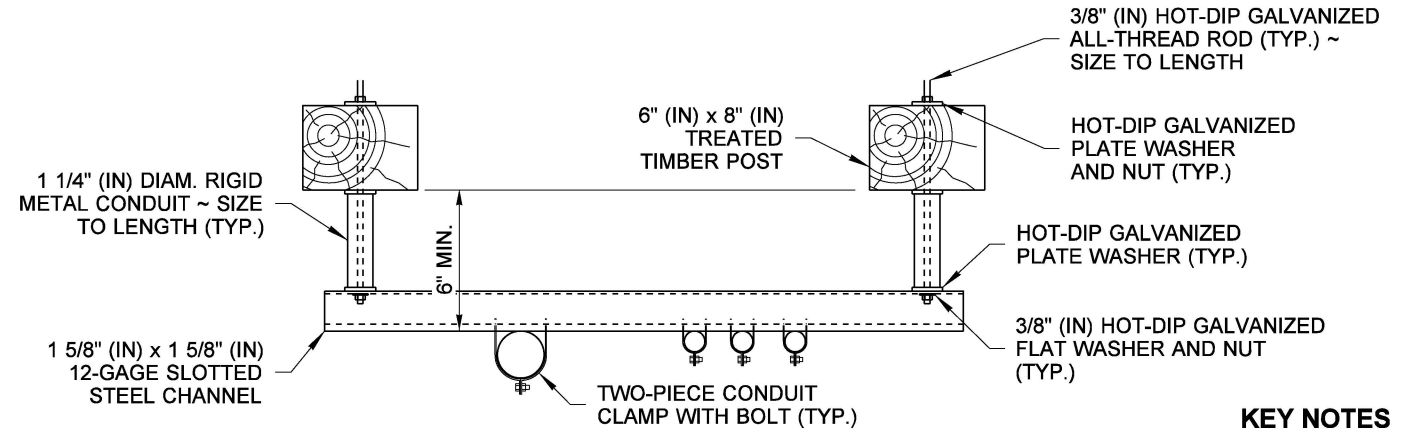
RIGHT SIDE OF SERVICE CABINET



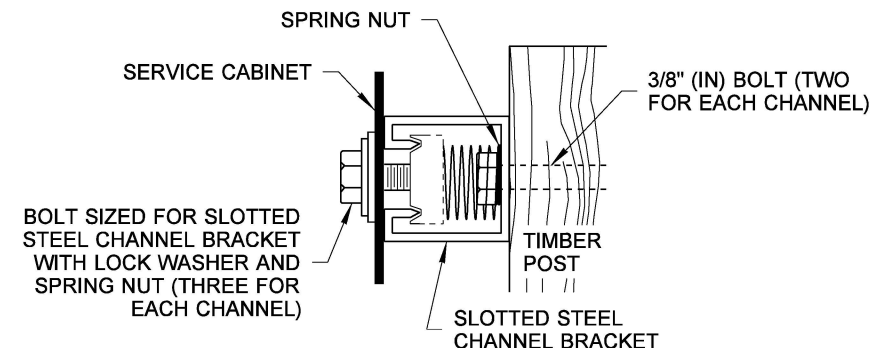
CONDUIT TERMINATION DETAIL



**PLAN VIEW
TWO POST MOUNT**



**CONDUIT SUPPORT DETAIL
(TWO POST MOUNT)**



CABINET BRACKET MOUNTING DETAIL

KEY NOTES

- ① Ground rod ~ See Note 1.
- ② Ground rod well (Ground tile) ~ 12" diameter concrete
- ③ Service ground electrode conduits.
- ④ Welded wire fabric ~ See Note 2.
- ⑤ Utility entrance conduit. Conduit shall terminate in the utility section of the service cabinet.
- ⑥ Conduits to field equipment. Conduits shall terminate in the customer section of the service cabinet.
- ⑦ Conduit couplers ~ See Note 3.
- ⑧ 6 x 8 x 10 ft long treated timber post

NOTES

- 1. Drive ground rods before placing concrete. Ground rods shall be a minimum of 6 feet apart. See **Standard Plan J-60.05** for additional details.
- 2. Welded wire fabric (WWF) shall be 4.0 x 4.0 ~ W4.0 x W4.0 ~ meeting the requirements of **Standard Specification, Section 9-07.7**. As an alternative, a grid of #3 rebar may be used, with bars spaced at 1'-0" centers laterally and longitudinally.
- 3. Install conduit couplings on all conduits. Couplers shall be installed with the top of the coupler flush with the top of concrete. For PVC conduits, the conduit segment above the coupler shall not be glued to the coupler.
- 4. Horizontal steel supports shall be continuous 1 5/8" (in.) x 1 5/8" (in.) 12-gage slotted steel channels (two required).
- 5. Cabinet height shall be determined by the required height of the utility meter - verify height with serving utility (typically 5 to 6 feet).
- 6. Serving utility may require meter socket to be installed on the outside of the cabinet. Utility feeder conduit shall still terminate in the utility section of the cabinet unless otherwise required by the utility.
- 7. Additional gravel pad not shown. Gravel pad shall extend two feet in front of the concrete pad for the full width of the concrete pad. If the utility meter socket is installed on the outside of the service cabinet, gravel pad shall also extend three feet from the utility side of the cabinet pad. Final gravel area shall be a rectangle.



Jackson, Flint
Aug 24 2020 9:38 AM
**SERVICE CABINET
INSTALLATION -
WOOD POST**
STANDARD PLAN J-10.12-00
SHEET 1 OF 1 SHEET

APPROVED FOR PUBLICATION
Roark, Steve Digitally signed by Roark, Steve
Date: 2020.09.16 10:11:40 -07'00'
STATE DESIGN ENGINEER
Washington State Department of Transportation